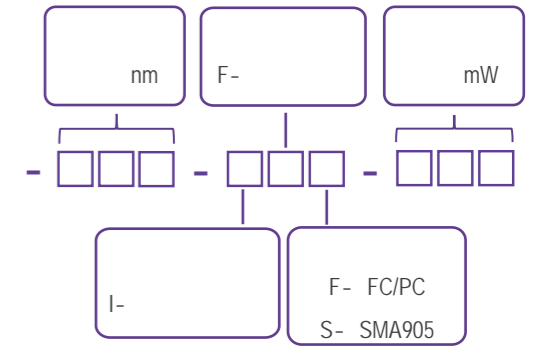




NLM RealStable®



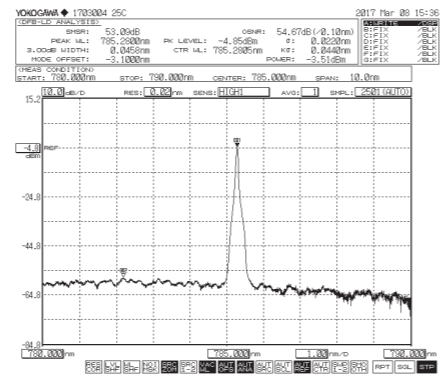
<0.1nm

±7pm@4h (温度漂移<±0.1 )

TEC

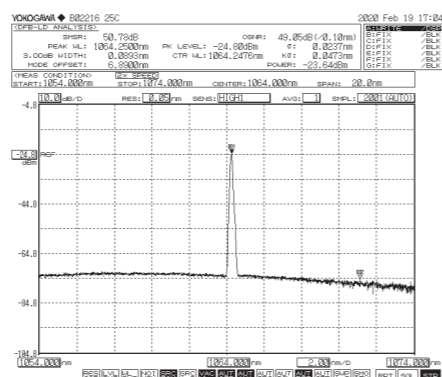
±2%

nm



785nm

>40dB



1064nm

>40dB

